



10623 Roselle Street, San Diego, CA 92121 • (858) 550-9559 • FAX (858) 550-7322
contactus@acesio.com • www.acesio.com

**MODEL PCIe-IIRO-8
PCI EXPRESS 16-CHANNEL ISOLATED
INPUT AND RELAY OUTPUT CARD
USER MANUAL**

FILE: MPCle-IIRO-8.A1e

Notice

The information in this document is provided for reference only. ACCES does not assume any liability arising out of the application or use of the information or products described herein. This document may contain or reference information and products protected by copyrights or patents and does not convey any license under the patent rights of ACCES, nor the rights of others.

IBM PC, PC/XT, and PC/AT are registered trademarks of the International Business Machines Corporation.

Printed in USA. Copyright 2010 by ACCES I/O Products Inc, 10623 Roselle Street, San Diego, CA 92121. All rights reserved.

WARNING!!

ALWAYS CONNECT AND DISCONNECT YOUR FIELD CABLING WITH THE COMPUTER POWER OFF. ALWAYS TURN COMPUTER POWER OFF BEFORE INSTALLING A CARD. CONNECTING AND DISCONNECTING CABLES, OR INSTALLING CARDS INTO A SYSTEM WITH THE COMPUTER OR FIELD POWER ON MAY CAUSE DAMAGE TO THE I/O CARD AND WILL VOID ALL WARRANTIES, IMPLIED OR EXPRESSED.

Warranty

Prior to shipment, ACCES equipment is thoroughly inspected and tested to applicable specifications. However, should equipment failure occur, ACCES assures its customers that prompt service and support will be available. All equipment originally manufactured by ACCES which is found to be defective will be repaired or replaced subject to the following considerations.

Terms and Conditions

If a unit is suspected of failure, contact ACCES' Customer Service department. Be prepared to give the unit model number, serial number, and a description of the failure symptom(s). We may suggest some simple tests to confirm the failure. We will assign a Return Material Authorization (RMA) number which must appear on the outer label of the return package. All units/components should be properly packed for handling and returned with freight prepaid to the ACCES designated Service Center, and will be returned to the customer's/user's site freight prepaid and invoiced.

Coverage

First Three Years: Returned unit/part will be repaired and/or replaced at ACCES option with no charge for labor or parts not excluded by warranty. Warranty commences with equipment shipment.

Following Years: Throughout your equipment's lifetime, ACCES stands ready to provide on-site or in-plant service at reasonable rates similar to those of other manufacturers in the industry.

Equipment Not Manufactured by ACCES

Equipment provided but not manufactured by ACCES is warranted and will be repaired according to the terms and conditions of the respective equipment manufacturer's warranty.

General

Under this Warranty, liability of ACCES is limited to replacing, repairing or issuing credit (at ACCES discretion) for any products which are proved to be defective during the warranty period. In no case is ACCES liable for consequential or special damage arriving from use or misuse of our product. The customer is responsible for all charges caused by modifications or additions to ACCES equipment not approved in writing by ACCES or, if in ACCES opinion the equipment has been subjected to abnormal use. "Abnormal use" for purposes of this warranty is defined as any use to which the equipment is exposed other than that use specified or intended as evidenced by purchase or sales representation. Other than the above, no other warranty, expressed or implied, shall apply to any and all such equipment furnished or sold by ACCES.

Table of Contents

Chapter 1: Introduction	5
Inputs.....	5
Outputs.....	5
Specification	6
Figure 1-1: Block Diagram	7
Chapter 2: Installation	8
CD Software Installation.....	8
Hardware Installation.....	9
Figure 2-1: Dimensional Drawing.....	9
Chapter 3: Address Selection	10
Chapter 4: Programming	11
Table 4-1: Register Address Map.....	11
Programming Examples	12
Chapter 5: Connector Pin Assignments	13
Table 5-1: Connector Pin Assignments.....	13
Customer Comments	14

Chapter 1: Introduction

This card provides an isolated digital input and output interface for PCI Express Bus computers. The card has eight optically-isolated discrete inputs and eight electro-mechanical relay outputs for monitoring and controlling DC or AC signals. An interrupt can be generated when any of the inputs change state to free up computer resources by eliminating the need for constant polling. Fully sealed, low-resistance signal relays, ideal for use in telecommunications, security and computer peripheral equipment, are used. The card occupies sixteen consecutive 8-bit registers in I/O address space.

This PCI Express version of the IIRO-8 is 100% register compatible with our PCI card version. Existing software applications should continue to magically work without changing one line of code (the device ID changes). It couldn't be easier!

Inputs

ISOLATED INPUTS: The eight pairs of inputs are driven by either AC or DC signals and are not polarity sensitive. Input signals are rectified by a diode bridge and applied to the input of an opto-isolator. An 1.8k Ω resistor in series provides current limiting. Standard 12/24 VAC transformer outputs can be accepted as well as DC voltages. The filter must be selected for AC inputs in order to eliminate the on/off response to AC. The voltage range to read an input as active / on is 3 to 31 volts (RMS). External resistors connected in series with the board's inputs may be used to extend the input voltage range.

FILTERS: Each input circuit contains a software and dip-switch controlled filter that has a 5 millisecond time constant. For AC inputs the filter must be selected in order to maintain a DC level at the input register. The filter is also valuable for use with slow DC input signals in a noisy environment. All filters are turned off at power-on or RESET and are then enabled or disabled by software. The on/off status of the filters can also be read by software. Note that all 8 filters are on or off together when controlled by software. Filters can be individually turned on or off using the 8-position dip-switch.

INTERRUPTS: When enabled by software the card asserts an interrupt on the PCIe-Bus when any of the eight isolated inputs change state from either high to low, or low to high in DC mode and from signal to no signal in AC mode. This interrupt capability is disabled at power on. Software commands are used to enable, disable, clear and read status of the interrupt circuit.

Outputs

The eight electro-mechanical relay outputs are comprised of five Form C SPDT type and three Form A SPST (normally open) type. The relay contacts are rated at 0.5A at 125VAC, and 1A at 24VDC. All the relays are turned off at power-on, and are then controlled by data bits written by software and latched. The on/off status of the relays can be read back by software.

Specification

Isolated Inputs

- Number of inputs: Eight
- Type: Non-polarized, optically isolated from each other and from the computer
- Input voltage range: 3 to 31V DC or AC RMS (40 to 10kHz)
- Isolation*: 500V
- Input Resistance: 1.8k ohms in series with a photo-coupler diode
- Response Time: 5 mSec w/filter
- Interrupts: PCIe-INTA (on Change of Input State, when enabled)

Relay Outputs

- Number of outputs: Eight: 5 relays are SPDT and 3 relays are SPST
- Contact Type: Single crossbar, Ag with Au clad. (Bifurcated contacts optional)
- Contact Rating: 1A max at 24VDC, 60VDC max, 0.5A at 125VAC max
- Contact Resistance: 100 milliohm max
- Contact Life: 5,000,000 min. (mech'l)
- Operate time: 5 mSec max
- Release Time: 5 mSec max
- Isolation*: 1000V
- Vibration: 10 to 55 Hz, 3.3 mm dbl amp; mech. dur. 1,000 m/s² (approx 100G)

* Notes on Isolation: Opto-Isolators, connector and relays are rated for at least 500V, but isolation voltage breakdowns will vary and is affected by factors like cabling, spacing of pins, spacing between traces on PCB, humidity, dust and other environmental factors. This is a safety issue so a careful approach is required. For CE certification, isolation was specified at 40V AC and 60V DC. The design intention was to eliminate the influence of common mode. Use proper wiring techniques to minimize voltage between channels and to ground. For example, when working with AC lines do not connect the hot side of the line to an input.

Power Required

- +5VDC 250mA min, 510mA max (all relays ON)

Environmental

- Ambient Temperature: Operating: 0 °C. to +50 °C
Storage: -40 °C. to +85 °C
- Humidity: 5 to 90% (non-condensing)
- Weight: Approx. 8 oz
- Size: 6.80" long (173 mm)

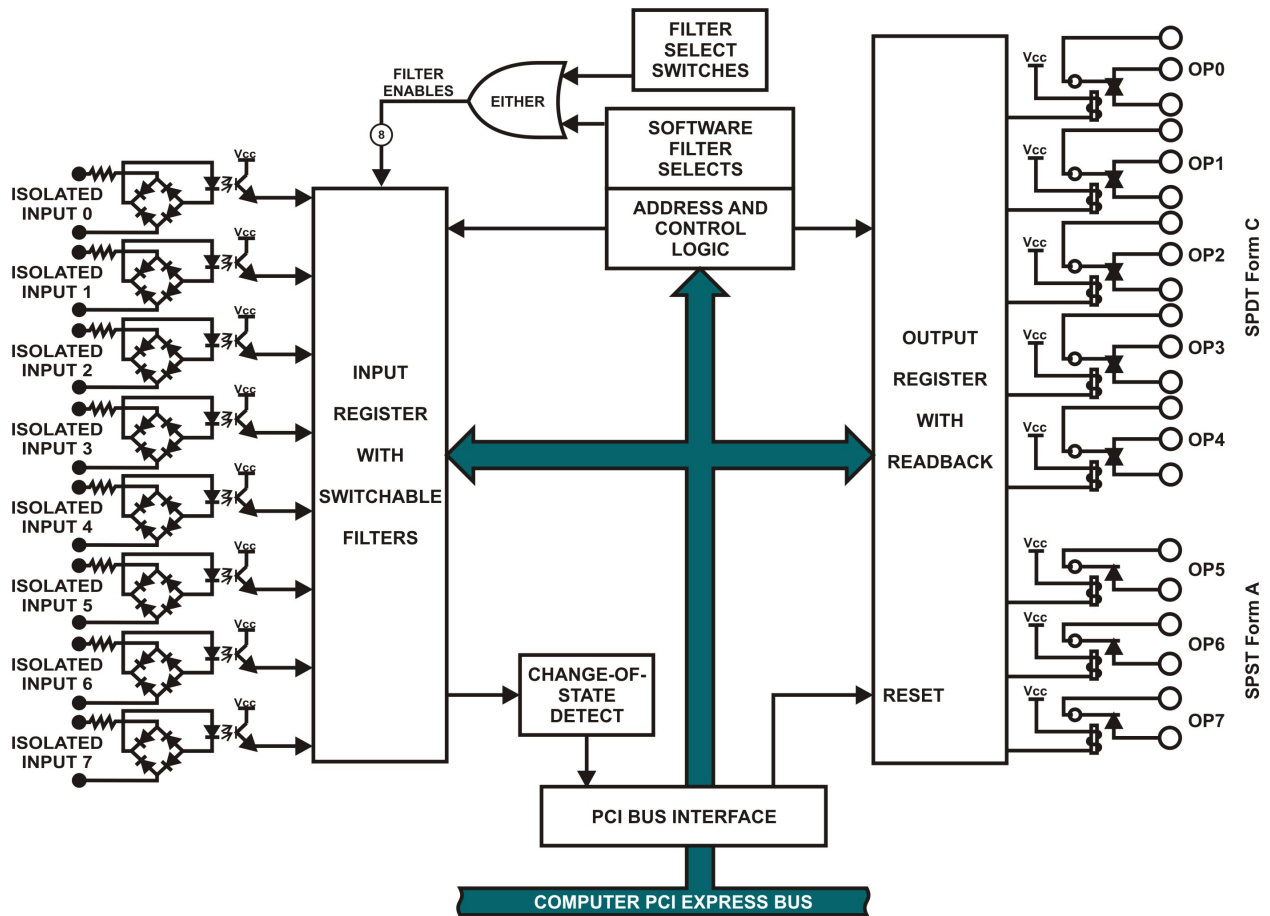


Figure 1-1: Block Diagram

Chapter 2: Installation

A printed Quick-Start Guide (QSG) is packed with the card for your convenience. If you've already performed the steps from the QSG, you may find this chapter to be redundant and may skip forward to begin developing your application.

The software provided with this card is on CD and must be installed onto your hard disk prior to use. To do this, perform the following steps as appropriate for your operating system.

CD Software Installation

The following instructions assume the CD-ROM drive is drive "D". Please substitute the appropriate drive letter for your system as necessary.

DOS

1. Place the CD into your CD-ROM drive.
2. Type `D: Enter` to change the active drive to the CD-ROM drive.
3. Type `INSTALL Enter` to run the install program.
4. Follow the on-screen prompts to install the software for this board.

WINDOWS

1. Place the CD into your CD-ROM drive.
2. The system should automatically run the install program. If the install program does not run promptly, click START | RUN and type `D:INSTALL`, click OK or press `Enter`.
3. Follow the on-screen prompts to install the software for this board.

LINUX

1. Please refer to linux.htm on the CD-ROM for information on installing under linux.

Caution! * ESDA single static discharge can damage your card and cause premature failure! Please follow all reasonable precautions to prevent a static discharge such as grounding yourself by touching any grounded surface *prior to touching the card.*

Hardware Installation

1. Do not install card into the computer until the software has been fully installed.
2. Turn OFF computer power AND unplug AC power from the system.
3. Remove the computer cover.
4. Carefully install the card in an available PCIe expansion slot (you may need to remove a backplate first).
5. Inspect for proper fit of the card and tighten screws. Make sure that the card mounting bracket is properly screwed into place and that there is a positive chassis ground.
6. Install an I/O cable onto the card's bracket mounted connector.
7. Replace the computer cover and turn ON the computer which should auto-detect the card (depending on the operating system) and automatically finish installing the drivers.
8. Run PCIfind.exe to complete installing the card into the registry (for Windows only) and to determine the assigned resources.
9. Run one of the provided sample programs that was copied to the newly created card directory (from the CD) to test and validate your installation.

The base address assigned by BIOS or the operating system can change each time new hardware is installed into or removed from the computer. Please recheck PCIFind or Device Manager if the hardware configuration is changed. Software you write can automatically determine the base address of the card using a variety of methods depending on the operating system. In DOS, the PCI\SOURCE directory shows the BIOS calls used to determine the address and IRQ assigned to installed PCIe devices. In Windows, the Windows sample programs demonstrate querying the registry entries (created by PCIFind and NTIOPCI.SYS during boot-up) to determine this same information.

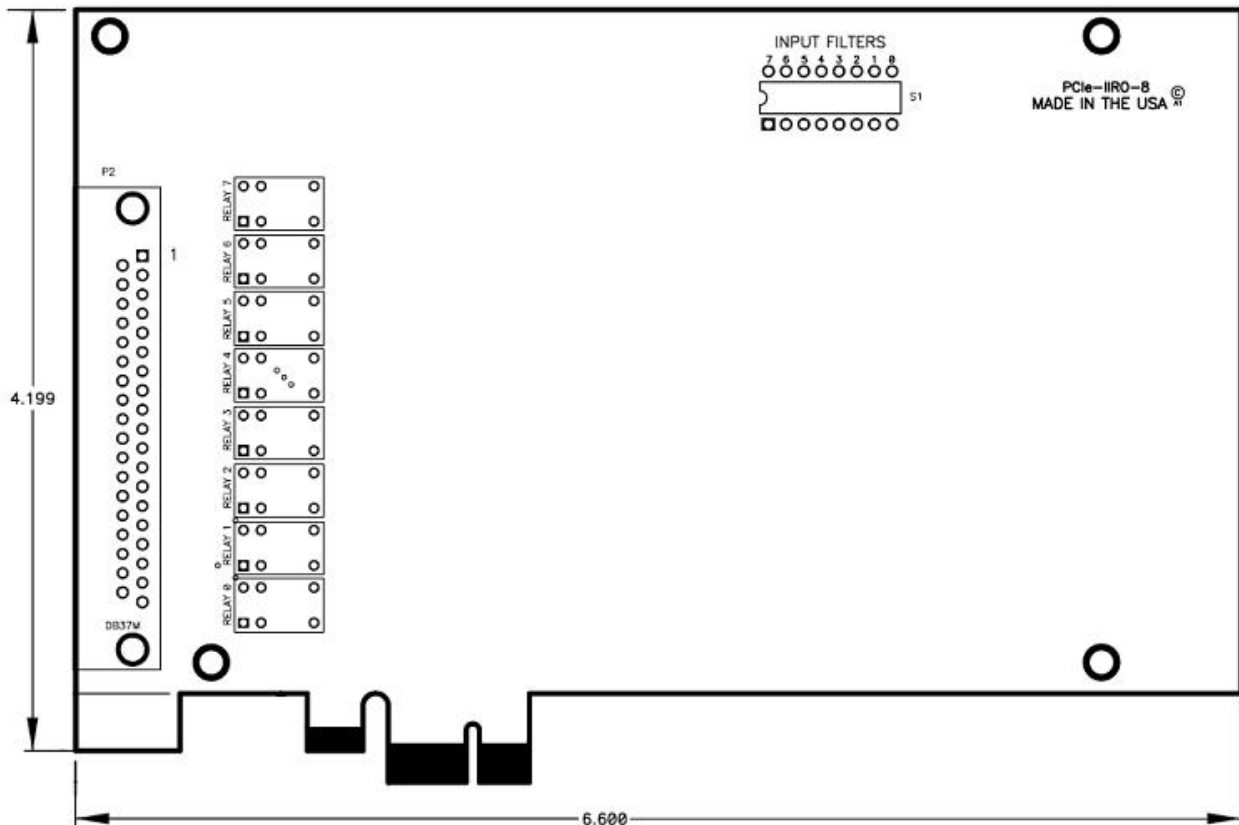


Figure 2-1: Dimensional Drawing

Chapter 3: Address Selection

This card uses I/O addresses offset from the base address assigned by the PCIe bus. The address spaces are defined in the programming section of this manual.

PCIe architecture is Plug-and-Play. This means that the BIOS or Operating System determines the resources assigned to PCIe cards rather than the user selecting those resources with switches or jumpers. As a result, you cannot set or change the card's base address or IRQ level. You can only determine what the system has assigned.

To determine the base address that has been assigned, run the PCIFind utility program. This utility will display a list of all the cards detected on the PCIe bus, the addresses assigned to each function on each of the cards, and the respective IRQs.

Alternatively, Windows systems can be queried to determine which resources were assigned. In these operating systems, you can use either PCIFind, or the Device Manager utility from the System Properties Applet of the control panel. The card is installed in the Data Acquisition class of the Device Manager list. Selecting the card, clicking Properties, and then selecting the Resources Tab will display a list of the resources allocated to the card.

The PCIe bus supports 64K of I/O address space, so your card's addresses may be located anywhere in the 0000h to FFFFh range. The card occupies eight consecutive 8 bit registers in I/O address space.

PCIFind uses the Vendor ID and Device ID to search for your card, then reads the base address and IRQ. If you want to determine the base address and IRQ without using PCIFind, use the following information:

The Vendor ID code is 494F (ASCII for "I/O")

The Device ID code for the card is 0F02

An example of how to locate PCIe card resources is provided with in the PCI\SOURCE directory, under your installation directory. This code runs in DOS, and uses the PCIe defined interrupt BIOS calls to query the PCIe bus for card specific information. You will need the Device ID and Vendor ID listed above to use this code.

Chapter 4: Programming

The base or starting address is assigned by the computers plug-and-play operating system during installation and will fall on an eight byte boundary (see chapter 3).

The card's read and write functions are as follows:

I/O Address	Read	Write
Base +0	Outputs 0 – 7	Outputs 0 – 7
Base +1	Inputs 0 – 7	Interrupt Clear
Base +2	Interrupt Enable	Interrupt Disable
Base +3	Filter Enable	Filter Disable
Base +4	COS Enable Status	COS Enable
Base +5	COS/IRQ Status	COS/IRQ Clear
Base +6	Interrupt Status	Unused
Base +7	Filter Status	Software Reset

Table 4-1: Register Address Map

Relay Outputs

At power-up, all relays are de-energized (normally-closed contacts). The relay outputs are controlled by writing to base address +0. Each bit within the registers controls a specific relay. A "1" energizes the corresponding relay and a "0" de-energizes it. The status of the relays can be determined at any time by a READ from base address +0.

Bit Position	D7	D6	D5	D4	D3	D2	D1	D0
Relay Low Byte	OP7	OP6	OP5	OP4	OP3	OP2	OP1	OP0

For example, if bit D5 is set to a 1 by writing 20 hex to the base address +0 the relay that controls OP5 is energized, closing the associated normally-open contacts. All other relays would be de-energized and their normally-closed contacts would be closed.

Isolated Inputs

Input states can be read from base address +1. Each of the bits within the bytes corresponds to a particular isolated input. A "1" signifies that the input is energized (+/- current flow) and a "0" signifies that the input is de-energized.

Bit Position	D7	D6	D5	D4	D3	D2	D1	D0
Input Low Byte	IP7	IP6	IP5	IP4	IP3	IP2	IP1	IP0

FILTERS: Sometimes it is necessary to slow down the card's response to eliminate noise spikes on DC inputs in industrial environments or to convert sinusoidal AC inputs. The 5 mSec filter can be enabled for all inputs by a software read from base address +3 or disabled by a write of any value to base address +3. The status of the filters can be read back from base address +7. A value of FF hex indicates the filters are active and a value of 00 hex indicates they are disabled.

INTERRUPTS: The card supports interrupts. The interrupt level is assigned by the plug-and-play operating system. The assigned interrupt level can be viewed when PCIFind.EXE is run (see chapter 3). The card's interrupt capability makes it unnecessary to continuously poll inputs (by reading base address +1 to detect when an input state has changed). To enable interrupts read base address +2 (the value is meaningless). To disable interrupts, write any value to base address +2. To clear an interrupt write any value to base address +1. The user must include the clear instruction in the interrupt service routine software. For shared interrupt applications the card has an IRQ status byte that can be read from base address +6. Bits 0 and 1 SET indicate interrupts are enabled, bit 2 SET indicates an IRQ has been generated, bits 3 thru 7 will always read 0.

ADDITIONAL CHANGE OF STATE AND INTERRUPT ENABLE/DISABLE REGISTERS

Read the 8 bit register at base+5 to see what input lines have changed. If interrupts were enabled by a READ of base+2 and if any of the bits in the register at base+5 are SET then an IRQ will be generated. Write the value that was read from the register at base+5 back to base+5 to clear only those bits that are HIGH. If the COS/IRQ status register is zeroed by a WRITE then the IRQ will be cleared. Events that happen while the register is being accessed will not be missed.

Use the register at base+4 to enable or disable bit mapped input Change of State detection. A bit set to 'one' will enable COS for the corresponding input line. All bits in this register are set HIGH at power-up. Set any bit(s) LOW to inhibit both COS or IRQs. Read base+4 to check the enable/disable states.

Programming Examples

No driver software is provided with the card because programming is very simple and can be accomplished most efficiently using direct I/O instructions. The following examples are in C but are readily translated into other languages:

Example: Turn on OP0 and OP7

```
Base=0xF300;          //Base I/O address
outportb(Base, 0x81);
```

Example: Read back the state of the relays

```
X=inportb(Base);      //relay register data to X
printf("%02x");       //display results
```

Example: Read the digital inputs

```
Y=inportb(Base+1);    //digital input register to Y
```

Chapter 5: Connector Pin Assignments

Digital I/O signals are connected to the card via a 37-pin male D type connector that extends through the back of the computer case.

Pin	Name	Function
1	IP7	Digital Input Bit 7
2	IP6	Digital Input Bit 6
3	IP5	Digital Input Bit 5
4	IP4	Digital Input Bit 4
5	IP3	Digital Input Bit 3
6	IP2	Digital Input Bit 2
7	IP1	Digital Input Bit 1
8	IP0	Digital Input Bit 0
9	OP7(C)	Bit 7 Relay Common
10	OP6(C)	Bit 6 Relay Common
11	OP5(C)	Bit 5 Relay Common
12	OP4(NC)	Bit 4 Relay, Normally-Closed Contact
13	OP4(NO)	Bit 4 Relay, Normally-Open Contact
14	OP3(C)	Bit 3 Relay Common
15	OP2(NC)	Bit 2 Relay, Normally-Closed Contact
16	OP2(NO)	Bit 2 Relay, Normally-Open Contact
17	OP1(C)	Bit 1 Relay Common
18	OP0(NC)	Bit 0 Relay, Normally-Closed Contact
19	OP0(NO)	Bit 0 Relay, Normally-Open Contact
20	IP7	Digital Input Bit 7
21	IP6	Digital Input Bit 6
22	IP5	Digital Input Bit 5
23	IP4	Digital Input Bit 4
24	IP3	Digital Input Bit 3
25	IP2	Digital Input Bit 2
26	IP1	Digital Input Bit 1
27	IP0	Digital Input Bit 0
28	OP7(NO)	Bit 7 Relay, Normally-Open Contact
29	OP6(NO)	Bit 6 Relay, Normally-Open Contact
30	OP5(NO)	Bit 5 Relay, Normally-Open Contact
31	OP4(C)	Bit 4 Relay Common
32	OP3(NC)	Bit 3 Relay, Normally-Closed Contact
33	OP3(NO)	Bit 3 Relay, Normally-Open Contact
34	OP2(C)	Bit 2 Relay, Common
35	OP1(NC)	Bit 1 Relay, Normally-Closed Contact
36	OP1(NO)	Bit 1 Relay, Normally-Open Contact
37	OP0(C)	Bit 0 Relay, Common

Table 5-1: Connector Pin Assignments

Customer Comments

If you experience any problems with this manual or just want to give us some feedback, please email us at: manuals@acesio.com. Please detail any errors you find and include your mailing address so that we can send you any manual updates.



10623 Roselle Street, San Diego CA 92121
Tel. (858)550-9559 FAX (858)550-7322
www.acesio.com